



azarnasim  
AIR CONDITIONING COMPANY

---

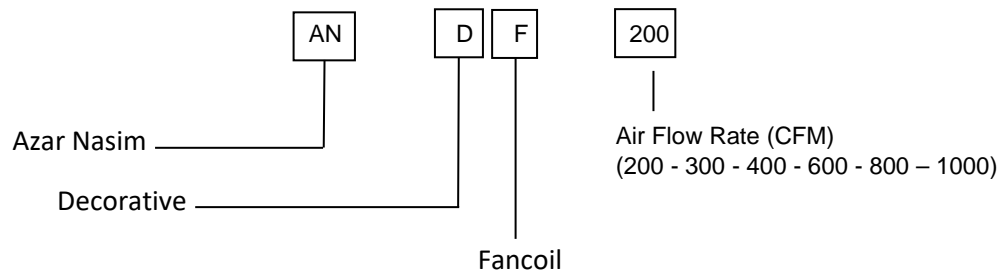
## FAN COIL



## Fan Coil Unit

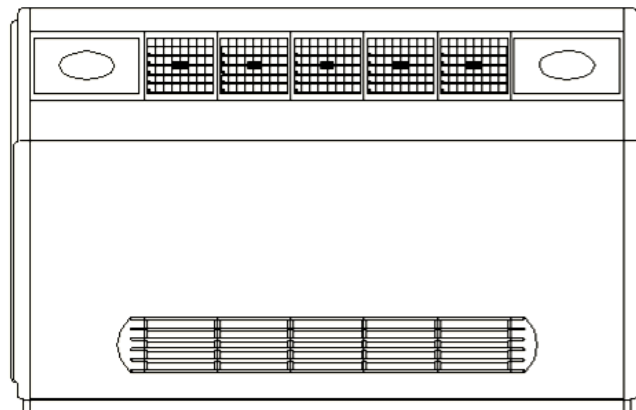
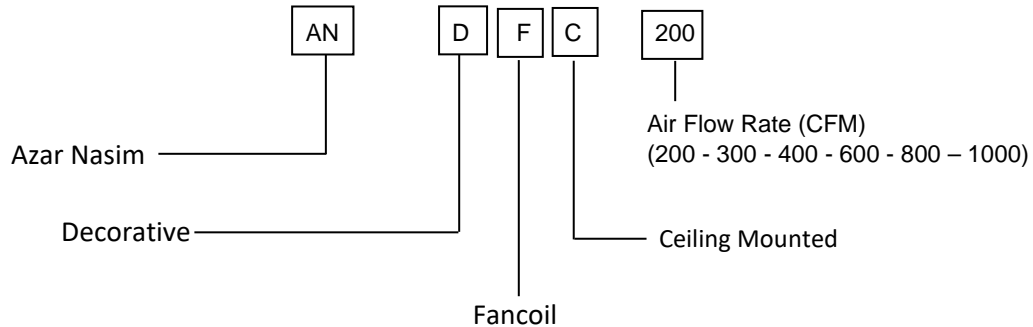
-Decorative Floor Mounted (AN DF)

### Nomenclature



-Decorative Ceiling Mounted Fan Coil (AN DFC)

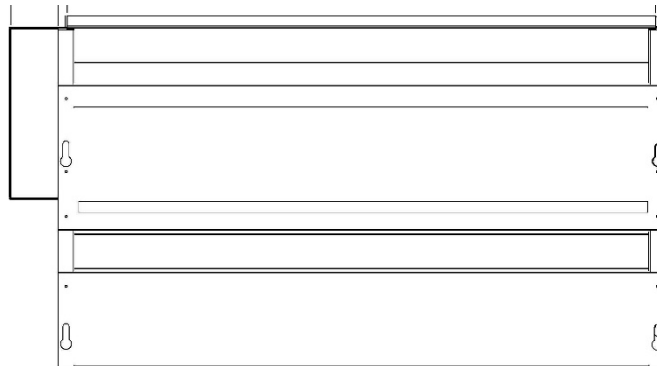
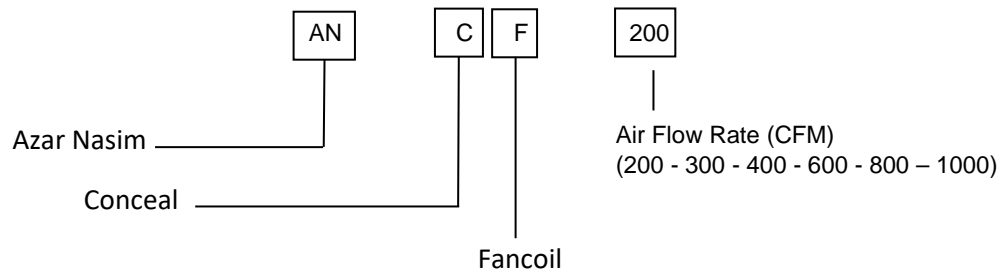
### Nomenclature



## -Concealed Ceiling Fan Coil (without cabin)

### Nomenclature

---



Azar Nasim Co. is one of the leading companies in the field of design and manufacture of HVAC systems in Iran .

Decorative Fan Coil Units with unique design and structure is one of the well-known products of this company.



## General Specifications

---

Azar Nasim fan coil units are designed and manufactured in different capacities (200 to 1000 cfm) and three types:

1. Ceiling concealed fan coil units (without cabin)
2. Floor mounted decorative slope fan coil units (with cabin)
3. Ceiling mounted decorative slope fan coil units (with cabin)

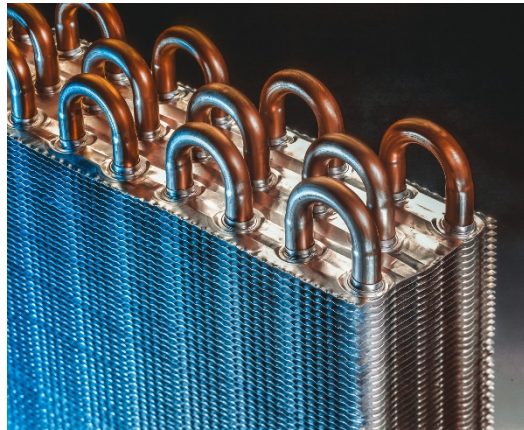
## Appearance And Body Specifications

---

1. Outlet air is adjustable in four directions.
2. Main structure of the units is made of Aluminum profiles.
3. Sides and air outlets are made of ABS.
4. Front panel of the unit is made of mild steel sheets and coated with electrostatic powder paint.
5. All internal sheets and condensate tray are hot dip galvanized coated with EPDM insulator.

- **Coil**

Three rows coils (8 tubes in each row) with copper tubes (OD  $\frac{3}{8}$ " ) and aluminum fins with spacing of 12 FPI are standard default of all Azar Nasim fan coil units . All the coils are degreased , washed and tested up to 135 PSI .



- **Electro motor**

Electromotors are single-phase, seven speeds , with overloading protection feature. Of course , in standard mode , three speeds are used .

- **Fan**

Centrifugal forward fans are made of ABS or galvanized steel sheet that are balanced statically and dynamically. These fans run with the lowest noise level.

- **Filter**

A washable aluminum filter is installed at air inlet section .

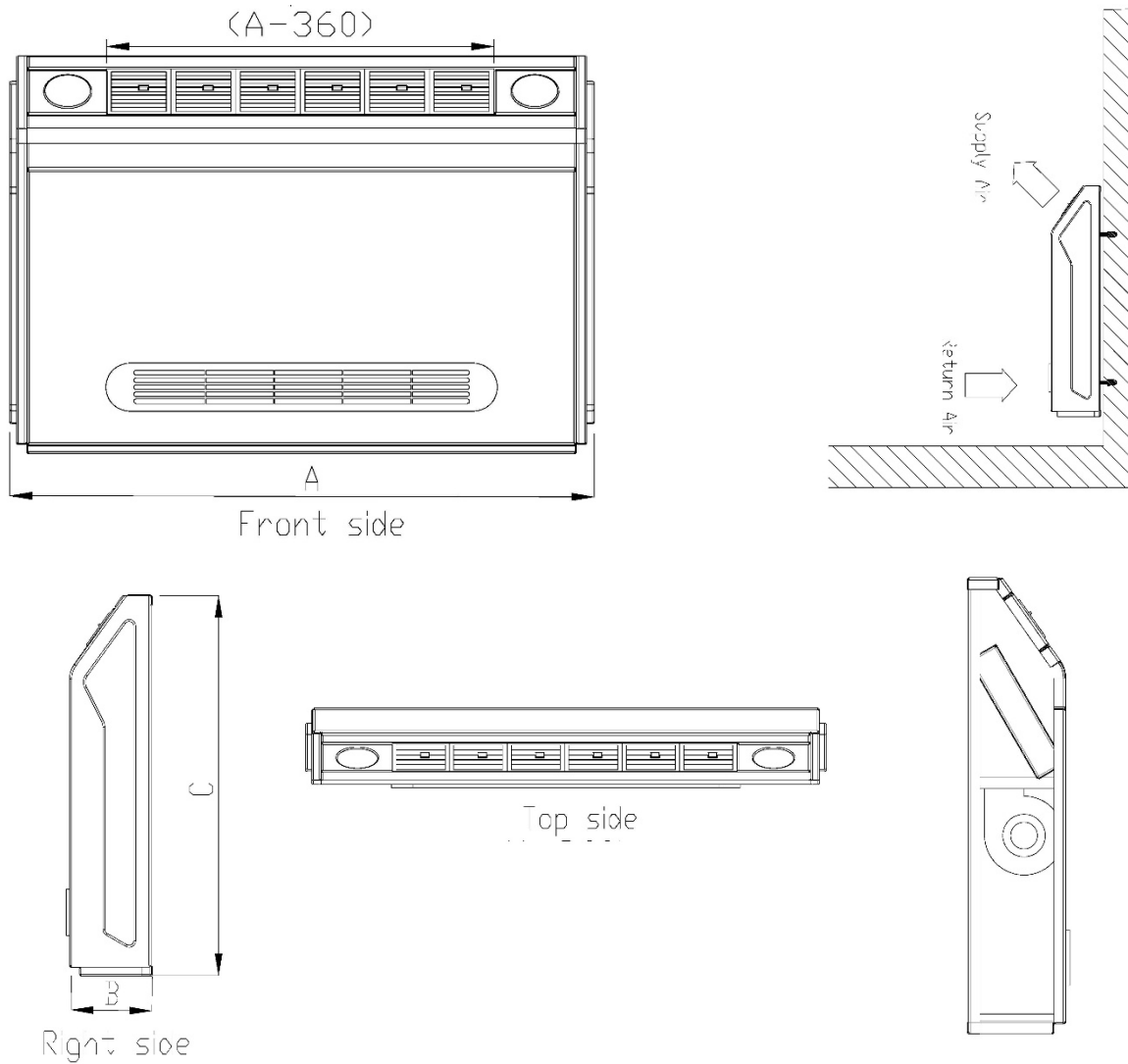
- **Electronic Protective Board**

Electronic protective boards is installed in the electrical input port of the ceiling fan coils.

- **Certificates**

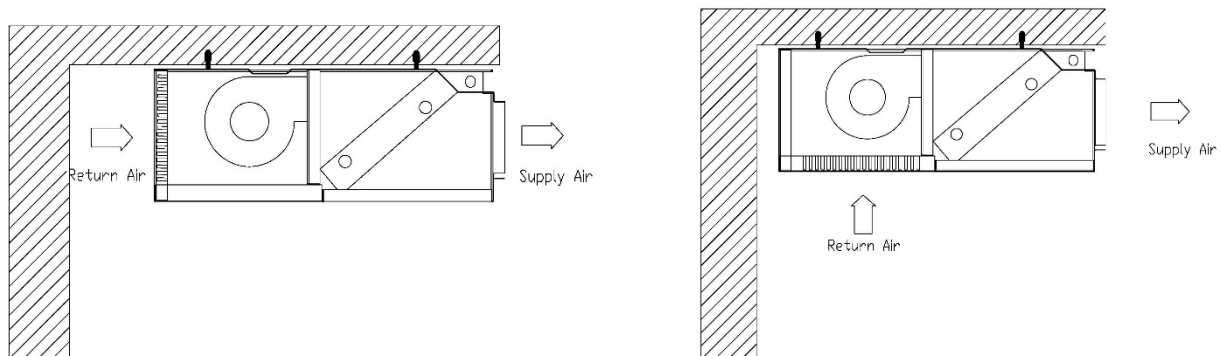
Azar Nasim Co, is the achiever of Iran's national standard license in Fan coil product for the first time .

## Decorative Fan Coil


**Table 1**

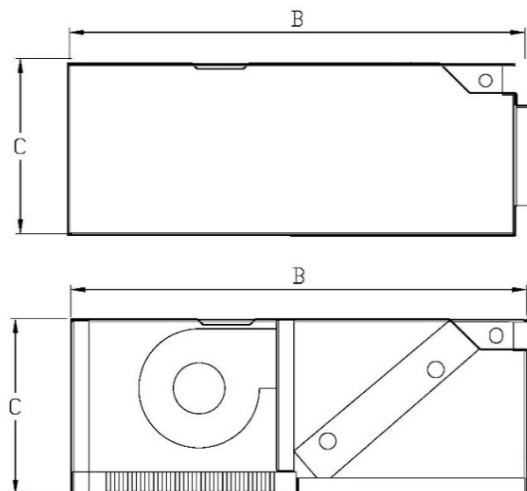
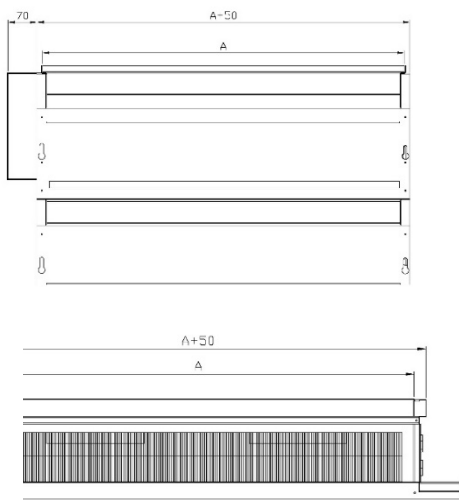
Dimensions (mm)	Model					
	AN DF-200	AN DF-300	AN DF-400	AN DF-600	AN DF-800	AN DF-1000
A(mm)	855	980	1105	1230	1605	1980
B(mm)	210	210	210	210	210	210
C(mm)	600	600	600	600	600	600

## Ceiling Mounted Concealed Fan Coil



Horizontal Air Flow

Angled Air Flow



Dimensions (mm)	Model					
	AN CF-200	AN CF-300	AN CF-400	AN CF-600	AN CF-800	AN CF-1000
A(mm)	545	675	800	910	1285	1655
B(mm)	550	550	550	550	550	550
C(mm)	210	210	210	210	210	210

Table 3							
Fan Coil Unit Technical Data							
Model	AN DF-200	AN DF-300	AN DF-400	AN DF-600	AN DF-800	AN DF-1000	
Nominal Air Flow Rate (CFM)	200	300	400	600	800	1000	
Total Cooling Capacity (Btu/hr)	8700	12000	15400	20400	24400	31000	
Sensible Cooling Capacity (Btu/hr)	6000	9000	12000	15000	18000	23000	
Heating Capacity (Btu/hr)	23000	32500	40000	49500	64500	77000	
Coil Data	Tube Size	3/8"					
	No. Of Rows	3					
	Fins Per Inch	12					
Water Flow Rate (gpm)	Cooling	1.5	2.5	3	4	4.8	6.2
	Heating	2.3	3.2	4	5	6.5	7.7
Water Pressure Drop (ft)	Cooling	2.2	6.5	9	5.2	7.6	7
	Heating	7.3	15	18	9	16.2	12.8
No. Of Fan	1	1	2	2	3	4	
No. Of Motor	1	1	1	1	2	2	
Electrical Data	Power Input (W)	37	37	37	37	74	74
	Max. Current (A)	0.42	0.42	0.42	0.42	0.84	0.84
	Power Supply (V/Ph/Hz)	220/1/50					
Connections (inch)	Inlet	3/4"					
	Outlet	3/4"					
	Drain	3/4"					
Noise Level (dB)	38	38	38	40	42	42	
Weight (kg)	21	23	27	30	44	53	
<b>Notes:</b>							
1. Rated cooling conditions: air inlet at 80°F DB/67°F WB , chilled water inlet/outlet at 45° F/55°F.							
2. Rated heating conditions: air inlet at 60° DB, hot water inlet/outlet at 180°F /160°F .							
3. Coil test pressure: 135PSI							
4. In Concealed Ceiling models weights are 15-30% lower.							
5. Rated cooling capacity, heating capacity and air flow rates have been measured in high-speed fan condition. For medium and low speed, multiply these values by 0.9 and 0.8 respectively.							



# CONTACT US!

---

- Central Office : 021-48402
- Customer Voice : (ext6)
- Central Office Fax : (ext116)
- Factory Phone : 086-45250025
- Factory Fax : 086-45250022
- Email : [info@azarnasim.com](mailto:info@azarnasim.com)
- Address : No,304,The 3th Floor,  
Toupaz Complex, Next to Yaran Park, After Abazar Cross  
roads, Ayatollah Kashani Blvd,The Second Sq.Of Sadeghieh  
Tehran, IRAN.